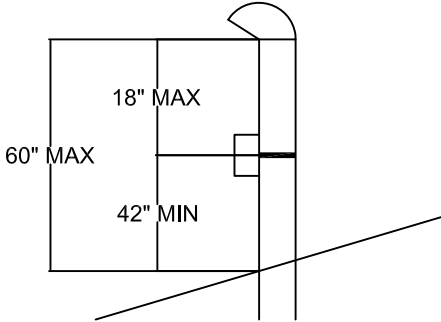


DETAILED SPECIFICATION SHEET LOCATED ON BACK

A METER POLE SERVICE IS REQUIRED IF ATTACHMENT HEIGHT REQUIRES MORE THAN 60" OF MAST ABOVE ROOF

WEC SERVICE WIRES CROSSING MORE THAN 6 FEET OF ROOF LINE AND/OR MAST MORE THAN 4 FEET FROM EDGE OF ROOF

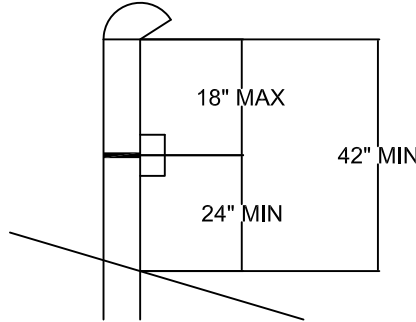
36 INCHES MINIMUM CLEARANCE ABOVE ROOF INCLUDING SERVICE WIRES AND DRIP LOOP



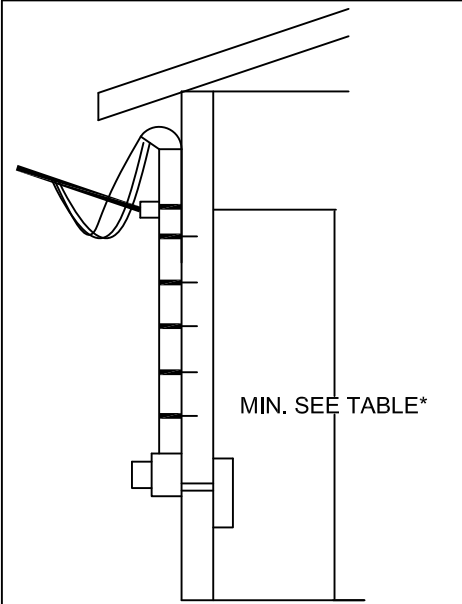
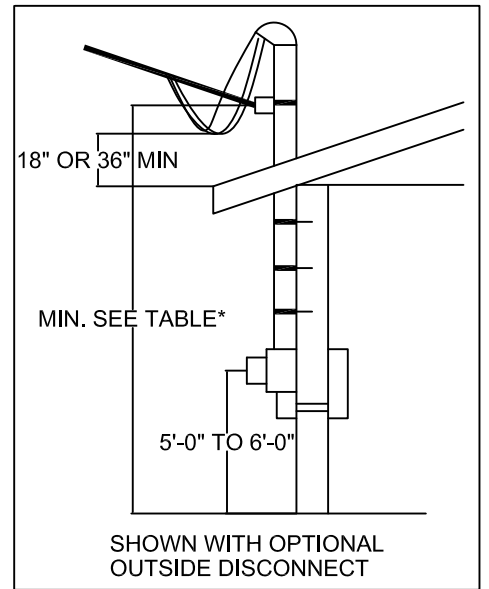
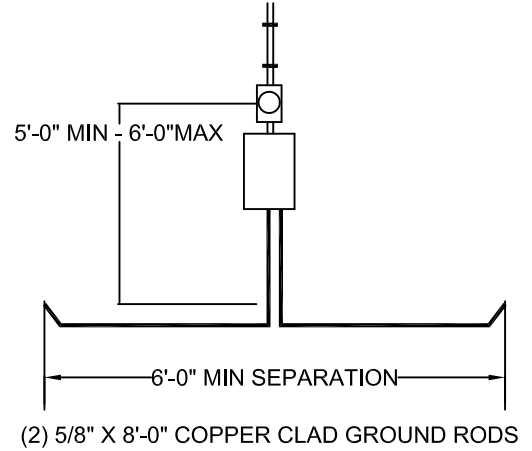
3 INCH GALVANIZED RIGID MINIMUM
IF MAST WOULD EXTEND MORE THAN 60 " FOR CLEARANCE, A METER POLE SERVICE WILL BE REQUIRED

WEC SERVICE WIRES CROSSING LESS THAN 6 FEET OF ROOF LINE AND MAST LESS THAN 4 FEET FROM EDGE OF ROOF

18 INCHES MINIMUM CLEARANCE ABOVE ROOF INCLUDING SERVICE WIRES AND DRIP LOOP

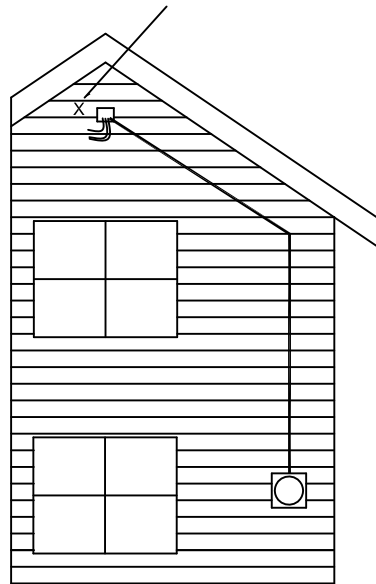


2 " ELECTRICAL PVC SCH 80 MINIMUM IF MAST WOULD NOT EXTEND OVER 42 INCHES FOR CLEARANCE.
3" RIGID REQUIRED FOR 42" to 60"



REFER TO SPECIFICATION SHEET FOR ADVISORY STATEMENT ON 2017 NESC CODE CHANGE REMOVING RESIDENTIAL MINIMUM HEIGHT EXEMPTION RULE FOR SINGLE-STORY UNDER-EAVE SERVICE

CUSTOMER/ CONTRACTOR TO INDICATE WITH "X" A STRUCTURALLY SOUND POINT OF ATTACHMENT FOR WEC TO CONNECT



MULTI-STORY UNDER-EAVE MOUNT
CHECK CODE FOR WINDOW CLEARANCES

MINIMUM WEC SERVICE ATTACHMENT HEIGHT*

SERVICE NOT CROSSING ROAD*			
WIRE	#2	2/0	4/0
SPAN			
30-40'	16' - 0"	16' - 0"	16' - 0"
41-70'	17' - 0"	17' - 3"	17' - 6"
71-95'	17' - 6"	17' - 9"	18' - 0"
96-115'	18' - 0"	18' - 0"	
116-150'	19' - 0"		

SERVICE CROSSING ROAD*			
WIRE	#2	2/0	4/0
SPAN			
30-40'	18' - 0"	18' - 0"	18' - 0"
41-70'	19' - 0"	19' - 3"	19' - 6"
71-95'	19' - 6"	19' - 9"	20' - 0"
96-115'	20' - 0"	20' - 0"	
116-150'	21' - 0"		

*ADD 1' - 0" FOR EACH CATV/ TELCO LINE



**Warren Electric
Cooperative, Inc**



**120/240V SINGLE PHASE SERVICE ON
STRUCTURE (320 AMP MAX): FOR NEW,
UPGRADE & REPLACEMENT SERVICES
REQUESTED AFTER OCTOBER 28, 2016**

320 EAST MAIN STREET

YOUNGSVILLE, PA 16371

(814) 563-7548